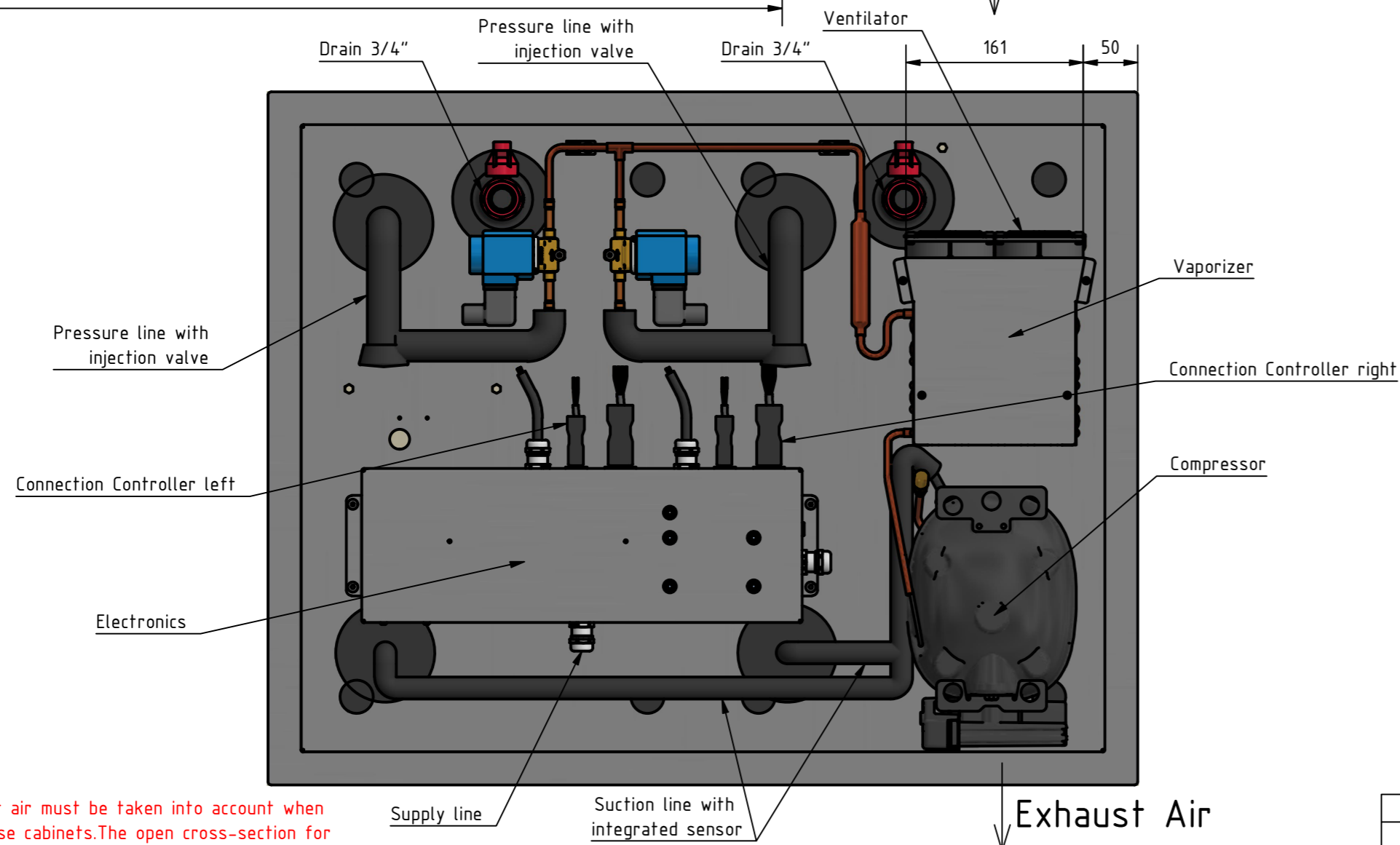
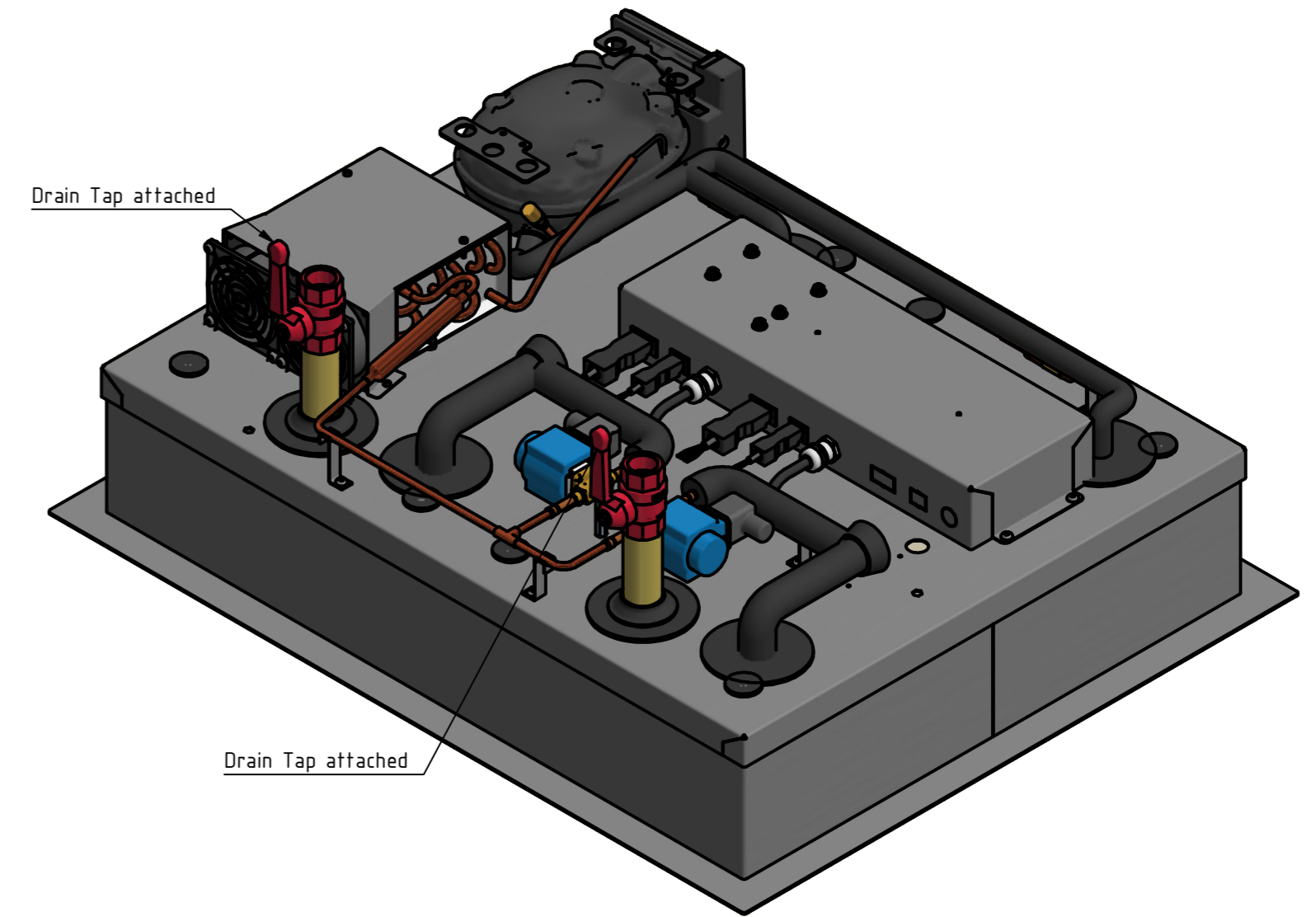


View from below (1 : 5)



Special Requirement:
On-site supply and exhaust air must be taken into account when installing the devices in base cabinets. The open cross-section for the supply air and exhaust air openings must be at least 200 cm², and the air should be able to flow freely over the cooling unit.

A	Initial Release	21.06.2021	SH
Rev.	Änderungsbeschreibung / Change Description	Datum / Date	Genehmigt / Approved

Format overview		
Format	External dimensions	Cut-out dimensions
2xGN1	790 x 630	740 x 580
3xGN2	1155 x 630	1105 x 580

HOELLER	Date:	12.04.2021	Material:	
	Name:	SH	Surface:	
Consider protection frank ISO 16016		Denomination:		
		Cold-Hot Multi Well 2xGN1		
Further application standards: General tolerances ISO 2768 - m		Sheet size:	Scale:	Item number:
		A2	1 : 5	14620000