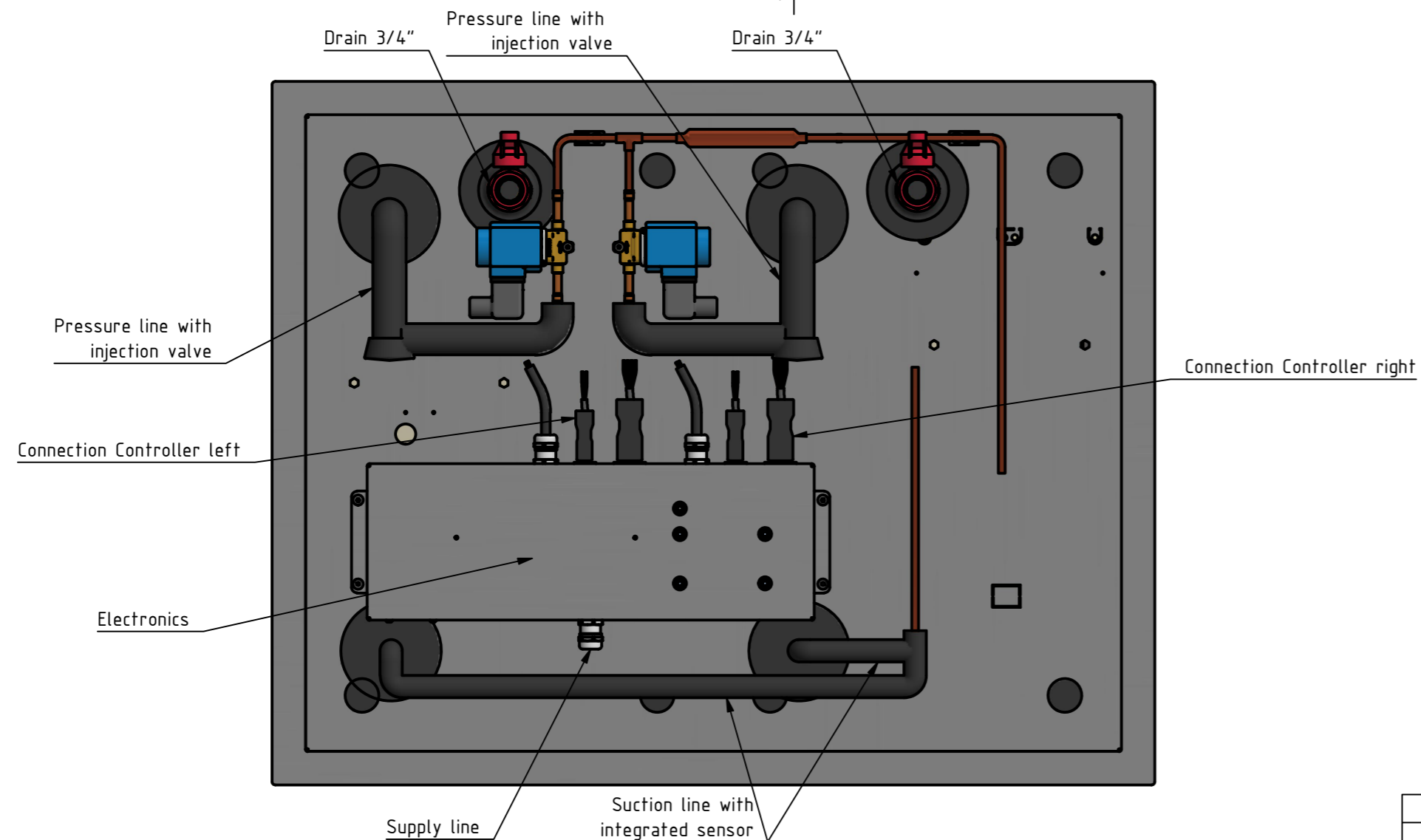
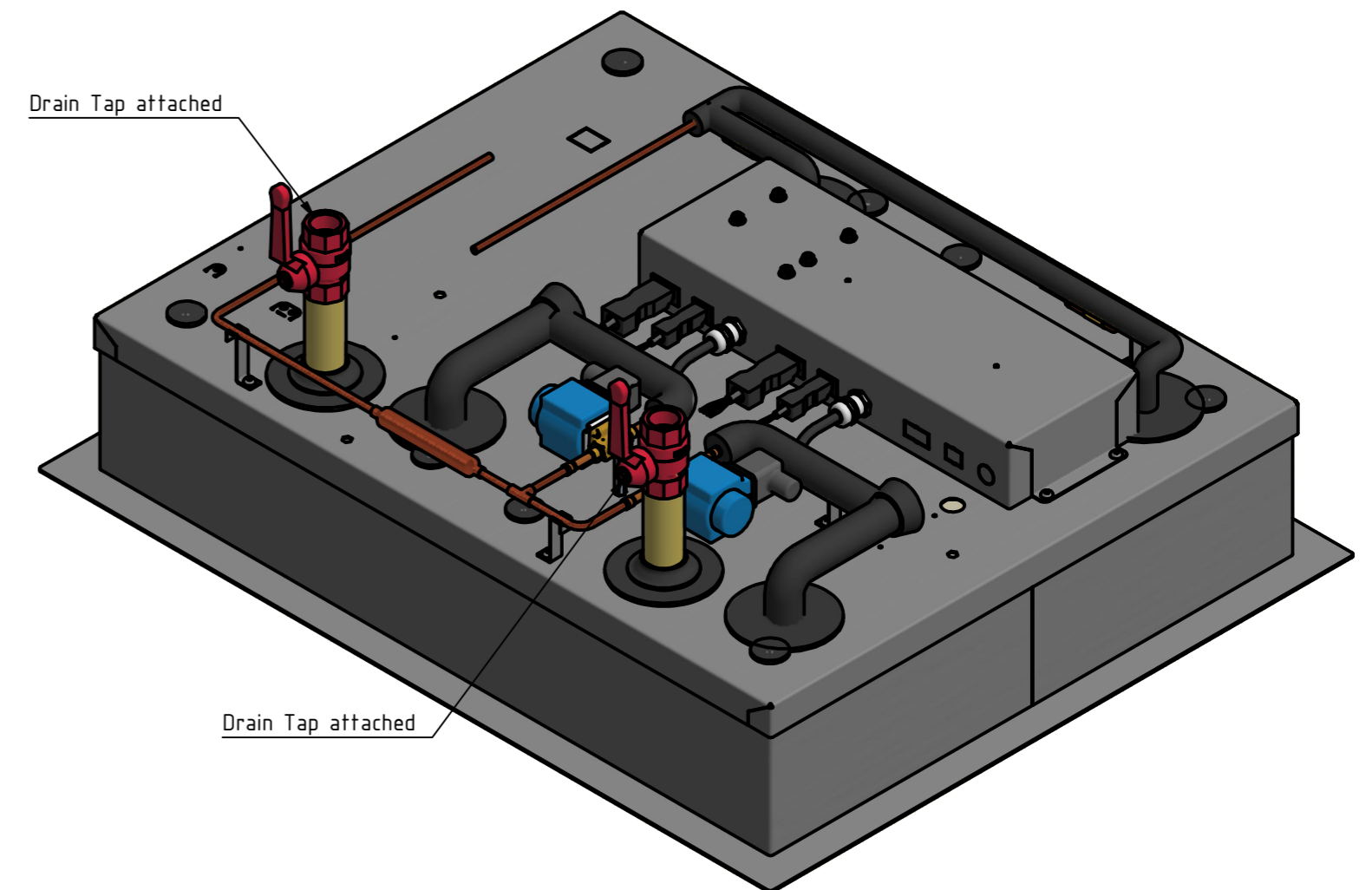


View from below ( 1 : 5 )



<b>HOELLER</b>		Date: 12.04.2021	Material:
		Name: SH	Surface:
Consider protection frank ISO 16016		Denomination:	
		<b>Cold-Hot Multi Well - Z 2xGN1</b>	
Further application standards: General tolerances ISO 2768 - m		Sheet size: A2	Scale: 1 : 5
		Item number:	<b>14626000</b>

Format overview			
Format	External dimensions	Cut-out dimensions	
2xGN1	790 x 630	740 x 580	
3xGN2	1155 x 630	1105 x 580	

A	Initial Release	21.06.2021	SH
Rev.	Änderungsbeschreibung / Change Description	Datum / Date	Genehmigt / Approved