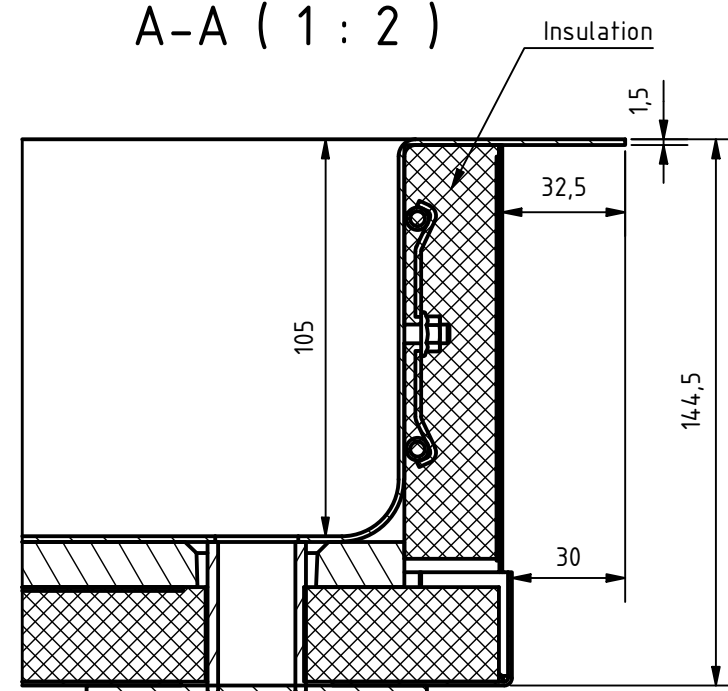
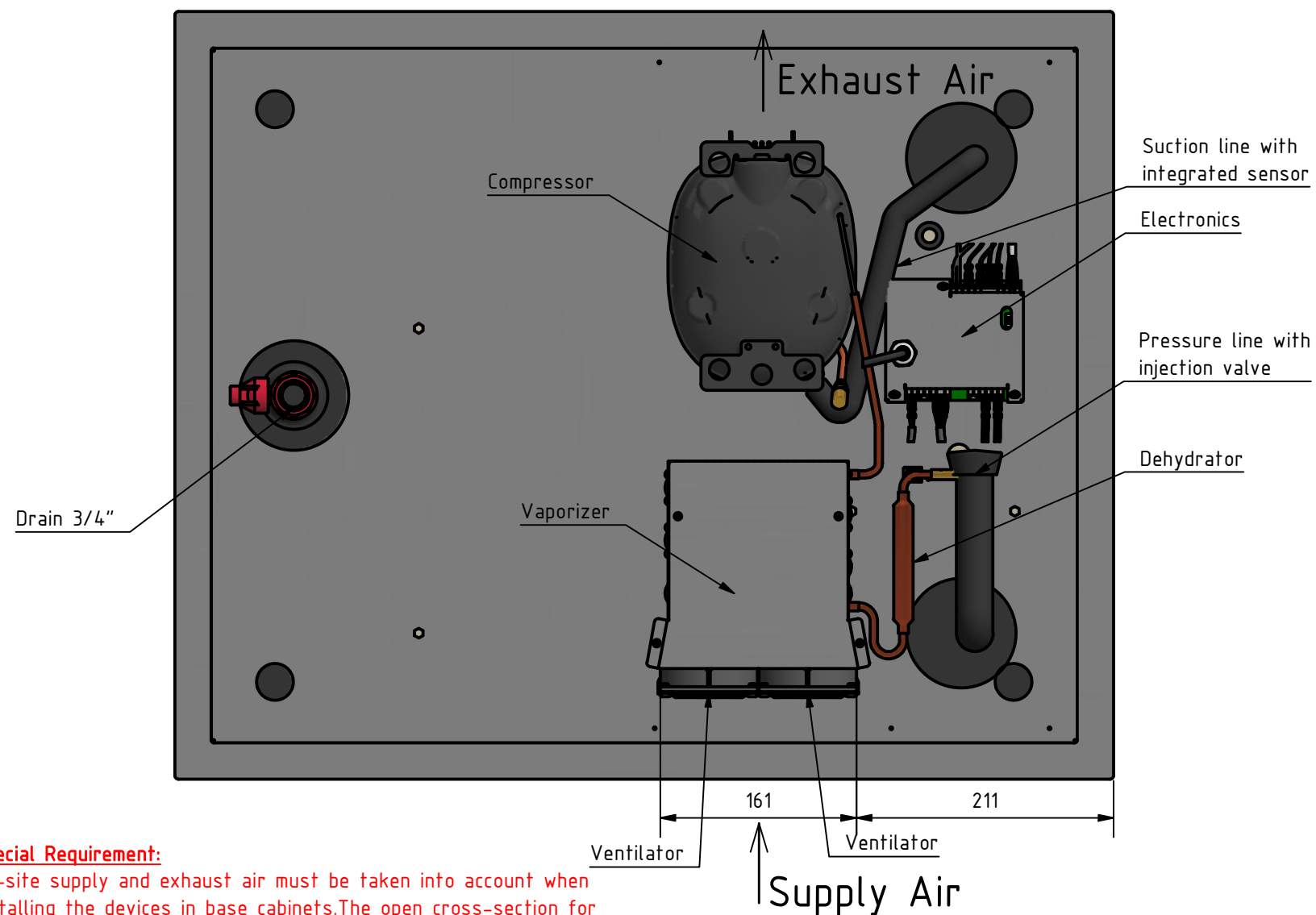
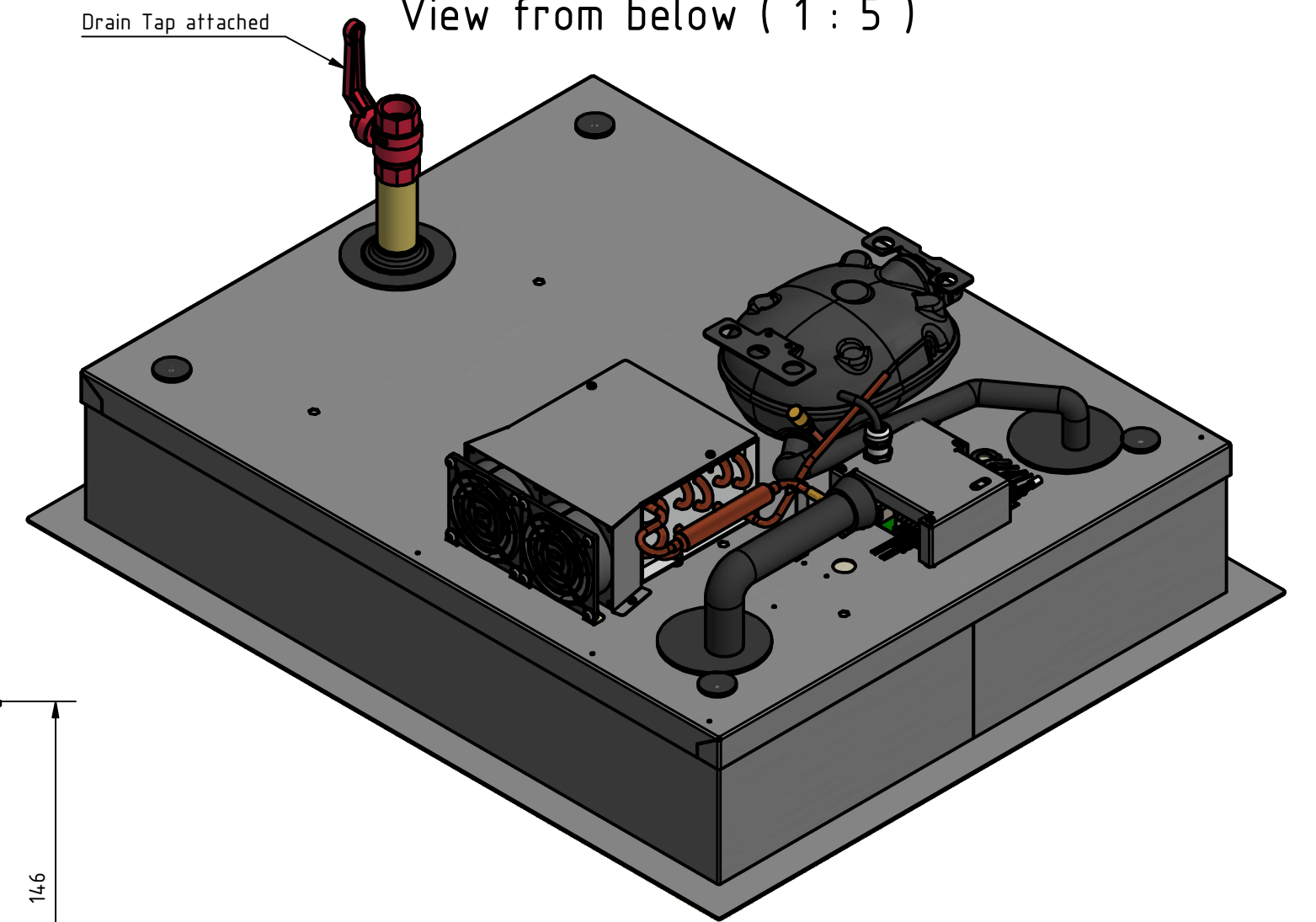


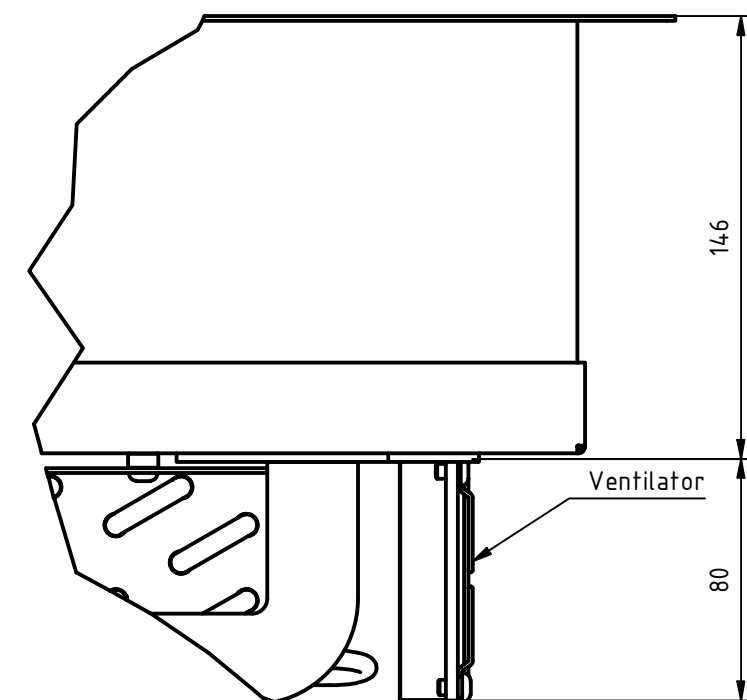
A-A ( 1 : 2 )



View from below ( 1 : 5 )



B ( 1 : 2,5 )



**Special Requirement:**  
On-site supply and exhaust air must be taken into account when installing the devices in base cabinets. The open cross-section for the supply air and exhaust air openings must be at least 200 cm<sup>2</sup>, and the air should be able to flow freely over the cooling unit.

A	Initial Release	10.05.2021	SH
Rev.	Änderungsbeschreibung / Change Description	Datum / Date	Genehmigt / Approved

Format overview		
Format	External dimensions	Cut-out dimensions
GN1	425 x 630	375 x 580
GN2	770 x 630	720 x 580
GN3	1110 x 630	1060 x 580
GN4	1450 x 630	1400 x 580

**HOELLER**  
Consider protection frank ISO 16016

Date:	31.03.2021	Material:	
Name:	SH	Surface:	
Denomination:			
Cold-Hot Well GN2			
Sheet size:	A2	Scale:	1 : 5
Item number:	14200000		