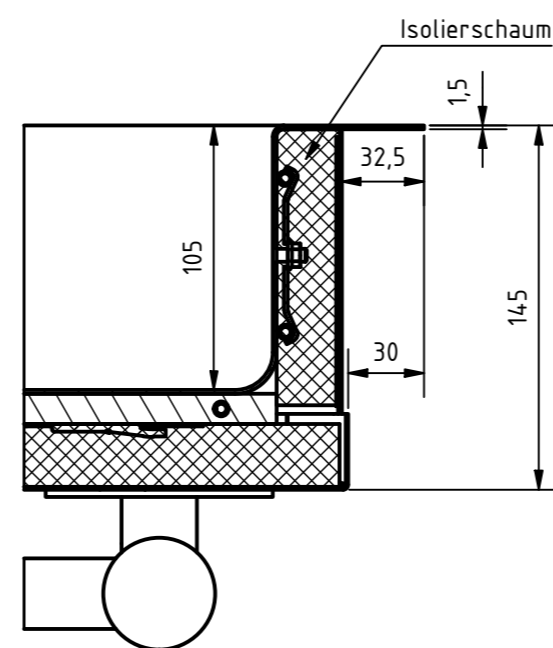
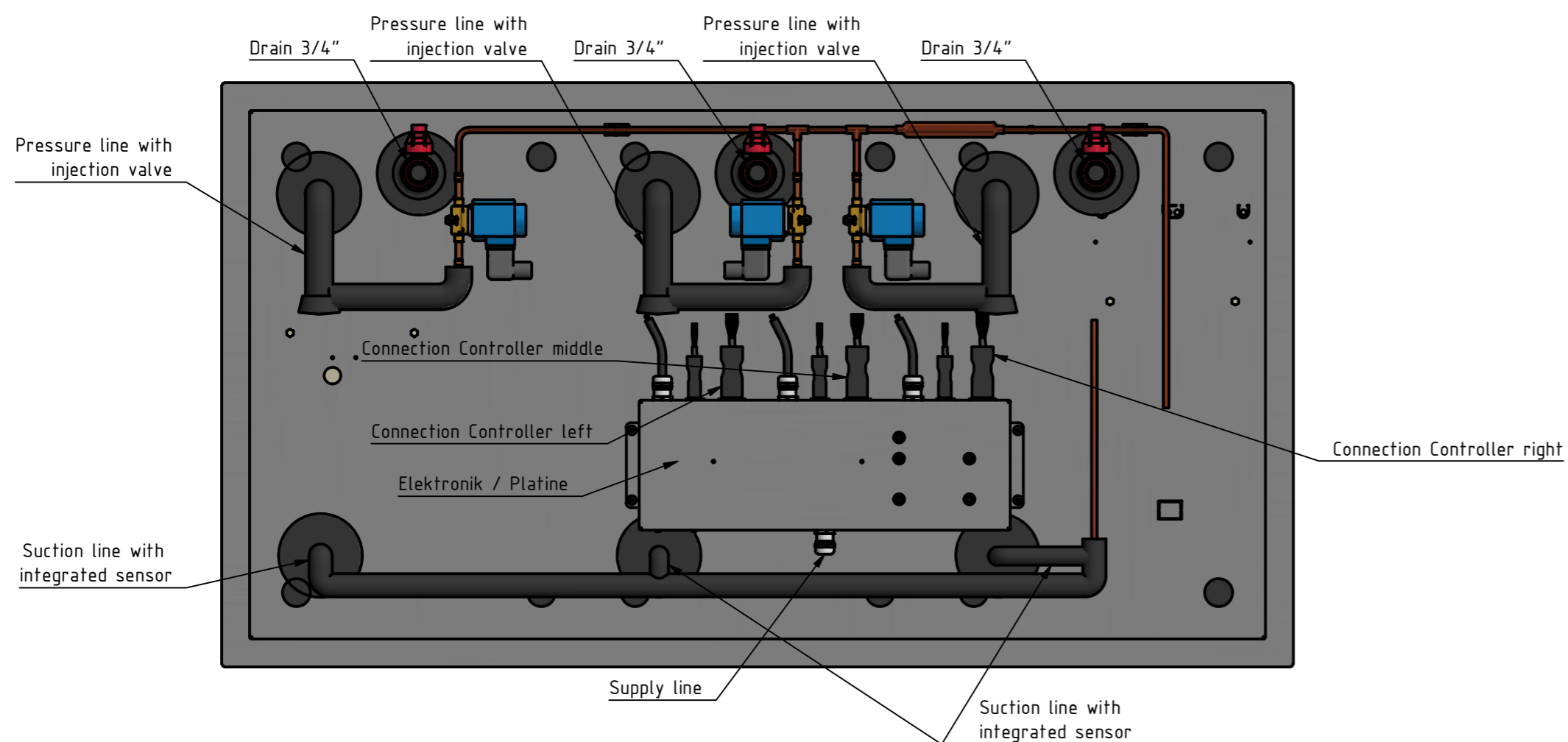
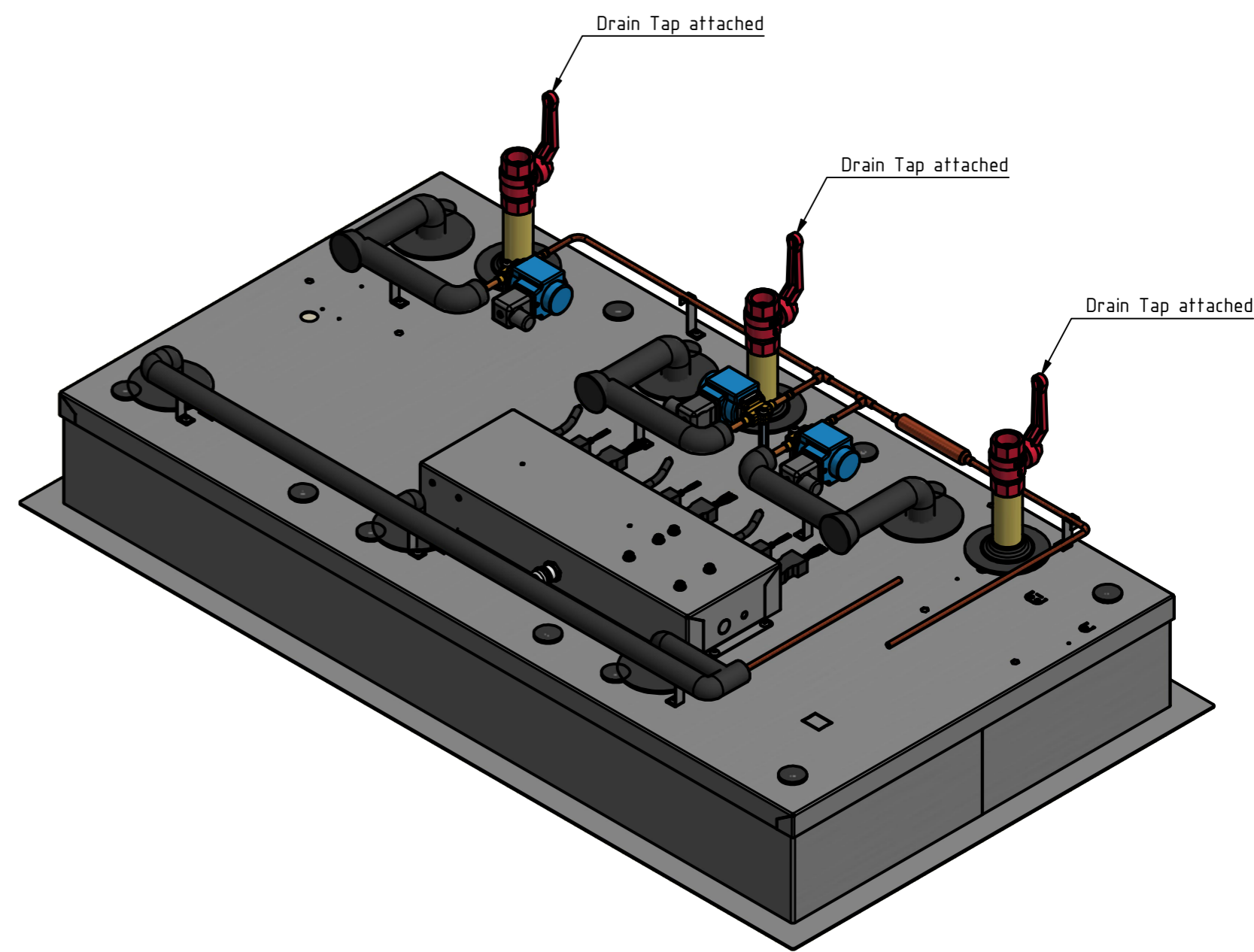


A-A (1 : 3)



View from below (1 : 6)



HOELLER	Date:	08.06.2021	Material:	
	Name:	SH	Surface:	
Consider protection frank ISO 16016	Denomination:			
	Cold-Hot Multi Well - Z 3xGN1			
Further application standards: General tolerances ISO 2768 - m	Sheet size:	A2	Scale:	1 : 6
	Item number:	14636000		

				Format overview		
Format	External dimensions	Cut-out dimensions				
2xGN1	790 x 630	740 x 580				
3xGN2	1155 x 630	1105 x 580				

A	Initial Release	21.06.2021	SH
Rev.	Änderungsbeschreibung / Change Description	Datum / Date	Genehmigt / Approved